



## Tetra & GPS Antenna

### Electrical Data

<b>Frequency Range (MHz)</b>	380 - 430
<b>Operational Bands</b>	TET
<b>Gain: Isotropic</b>	2dBi
<b>Compared with ¼ wave</b>	0dB
<b>Impedance</b>	50 Ohms
<b>Polarisation</b>	Vertical

### GPS Data

<b>Frequency Range (MHz)</b>	1575
<b>VSWR</b>	<2.0:1 ± 4MHz
<b>Gain: LNA</b>	26dB
<b>Polarisation</b>	Right Hand Circular
<b>Operating Voltage</b>	3 - 7V DC (fed via coax)
<b>Current</b>	Typical 14mA

### Mechanical Data

<b>Weight (g)</b>		
<b>Operating Temp (°C)</b>	-40° / +80°C	
<b>Whip Length (mm)</b>	154	
<b>Dimensions (mm)</b>	<b>Length</b>	60
	<b>Width</b>	50
	<b>Total Height</b>	172.5
	<b>Base Height</b>	18.5
<b>Material</b>	Engineering Plastic	
<b>Colour</b>	Black	

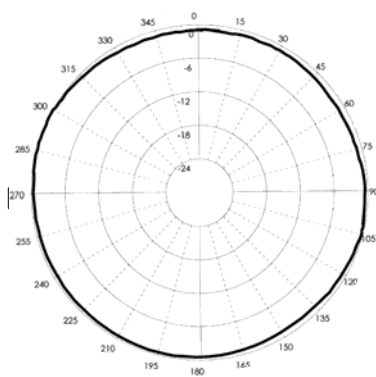
### Mounting Data

<b>Fixing</b>	Panel Mount
<b>Depth (mm)</b>	10
<b>Hole Size (mm)</b>	15

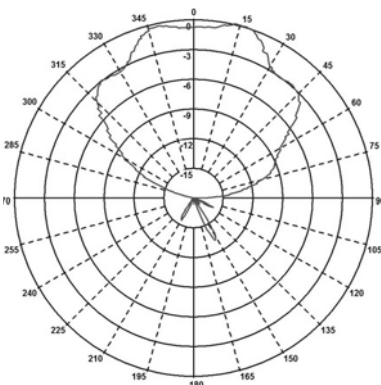
### Cable Data

<b>Type</b>	Coaxial Cable	
<b>Length (m)</b>	3	
<b>Thickness (mm)</b>	3	
<b>Termination</b>	<b>GPS</b>	FME Plug
	<b>Cell</b>	FME Socket

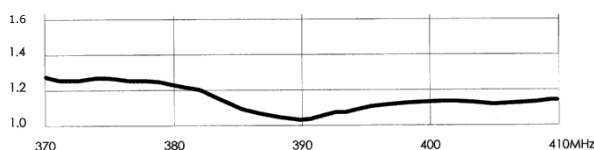
390/420 MHz



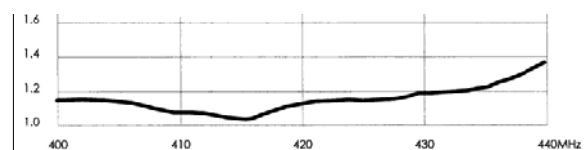
GPS



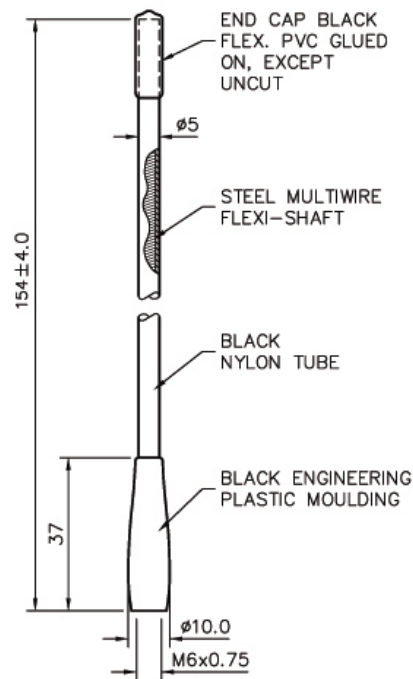
VSWR S1



VSWR S2



### Whip Length



### GMS Module

