



Multiband Cellular panel mount Antenna

Electrical Data

| | |
|-----------------------|---|
| Frequency Range (MHz) | 805 - 880 890 - 960 1710 - 1880 1850 - 1990 1900 - 2170 |
| Operational Bands | AMPS GSM900 GSM1800 PCS 3G UMTS |
| VSWR | Tx ≤ 1.5:1, Rx ≤ 2:1 |
| Gain: Isotropic | 2dBi |
| Compared with ¼ wave | 0dB |
| Polarisation | Vertical |

Mechanical Data

| | |
|-----------------------------|-----------------|
| Length of Whip (mm) | 50 |
| Height of Whip Mounted (mm) | 70 |
| Weight (g) | |
| Operating Temp (°C) | -40° / +80°C |
| Whip Material | Stainless Steel |
| Colour | Black |

Mounting Data

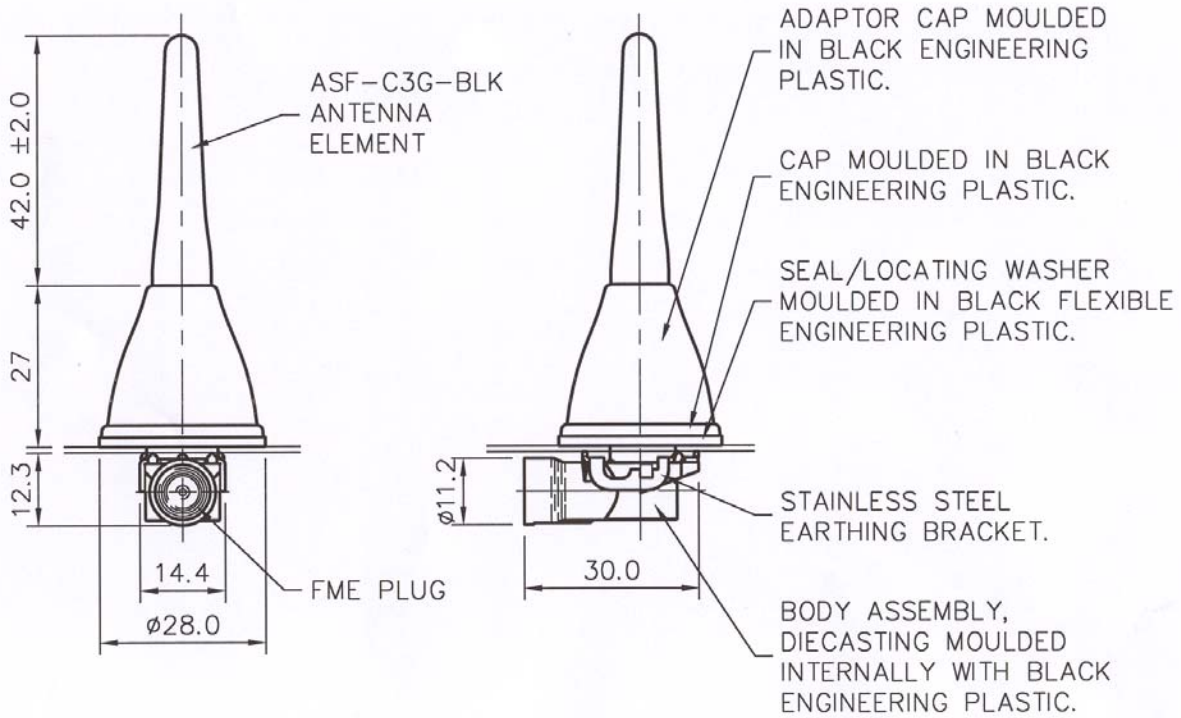
| | | |
|----------------------------------|---------------------------|------|
| Fixing | Panel Mount | |
| Adaptor Cap Dimensions (mm) | Height | 28 |
| | Diameter | 27 |
| Adaptor Cap Material | Black Engineering Plastic | |
| Colour | Black | |
| Earthing Bracket Dimensions (mm) | Height | 24.5 |
| | Width | 30 |
| Termination | FME Socket | |

Fixing Data

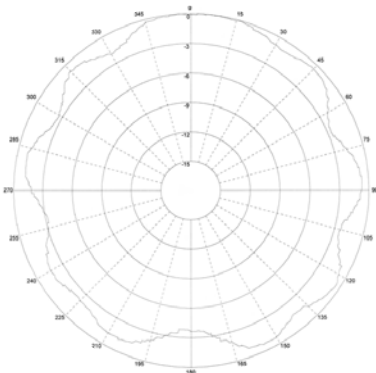
| | | |
|----------------------|------------------|----|
| Panel Thickness (mm) | 0 - 4 | |
| Hole Size (mm) | Fit From Inside | 12 |
| | Fit From Outside | 16 |

Cable Data

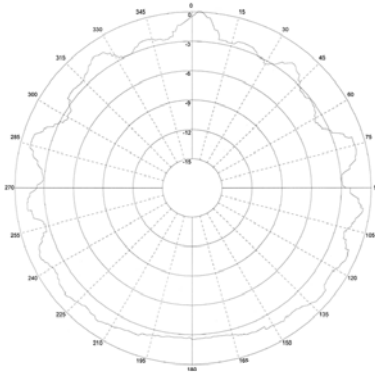
| | |
|--------------------|--|
| Cable Length | Various Cable Configurations Available |
| Fixed Cable Option | EBM-C3G |



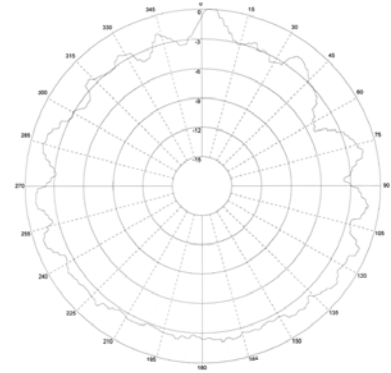
900 MHz



1800 MHz



2000 MHz



VSWR v Freq (MHz)

