

Product Data Sheet

WMM-7-27

C/Note	Doc Issue	Date	Approval
01019	2	2.11.2015	J.J.

WiMAX / LTE

Wall Mount MiMo Antenna



WMM-7-27

- Supports MiMo & diversity across 2G /3G / 4G
- Two omni-directional ultra wideband elements
- Durable wall mount housing
- Suitable for mast, wall and desk mounting

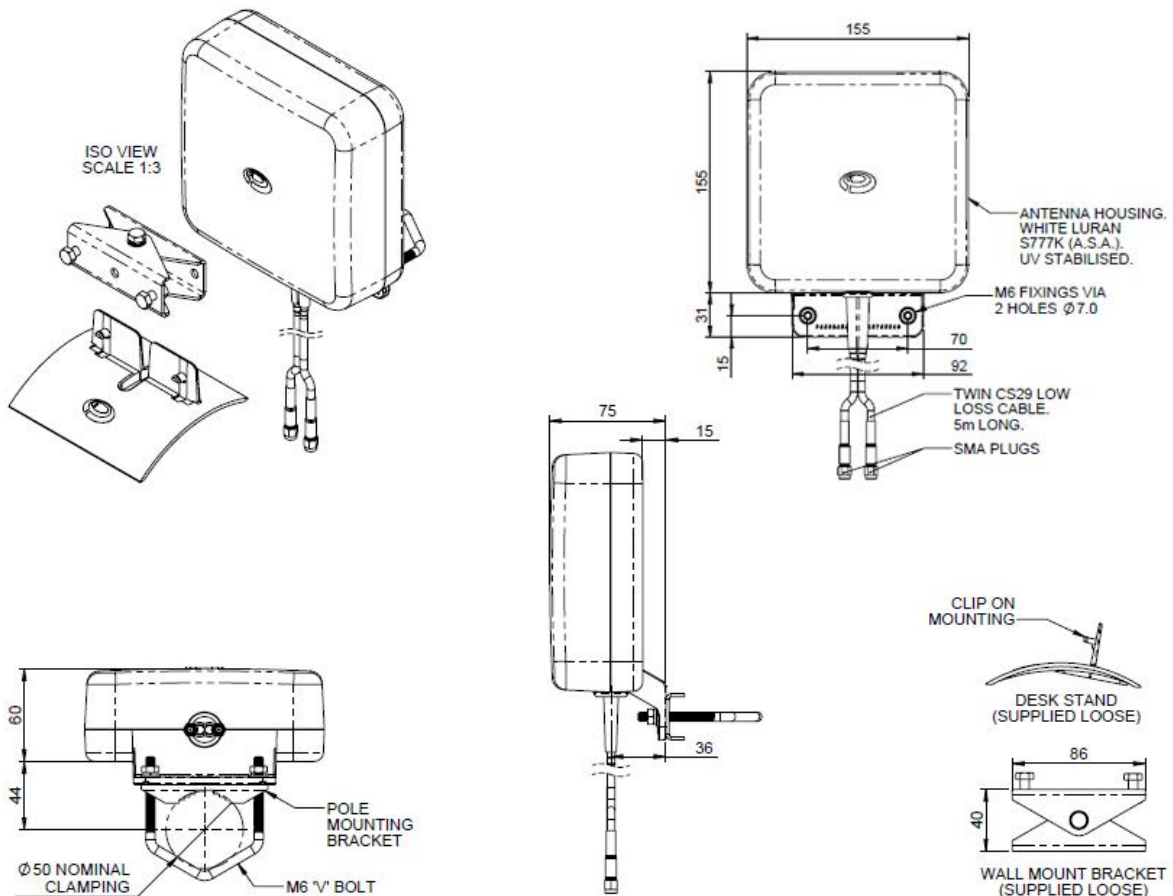
The WMM antenna provides an innovative and future proof solution for 2G / 3G and 4G networks. Incorporating two separately fed ultra wideband elements in a single housing the WMM is equipped to provide client side MiMo and diversity support for the networks of today and tomorrow.

The rugged, weatherproof housing is designed for wall mounting. Wall and mast mount brackets are provided.

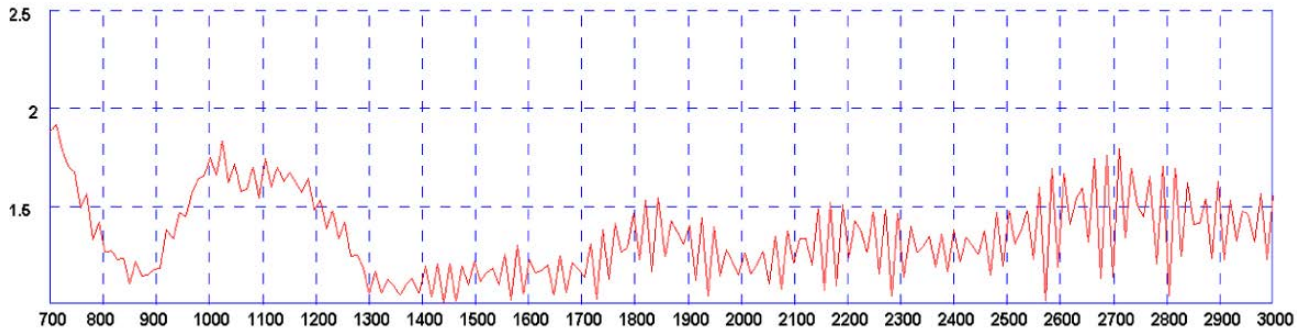
5 metres of fitted low loss double shielded twin cable minimises exposed connector joints and simplifies cable management for easy installation.

The WMM is a cost effective value added product for network operators and service providers ensuring a stable link with improved data rates for subscribers thereby improving satisfaction and retention.

Technical Drawing

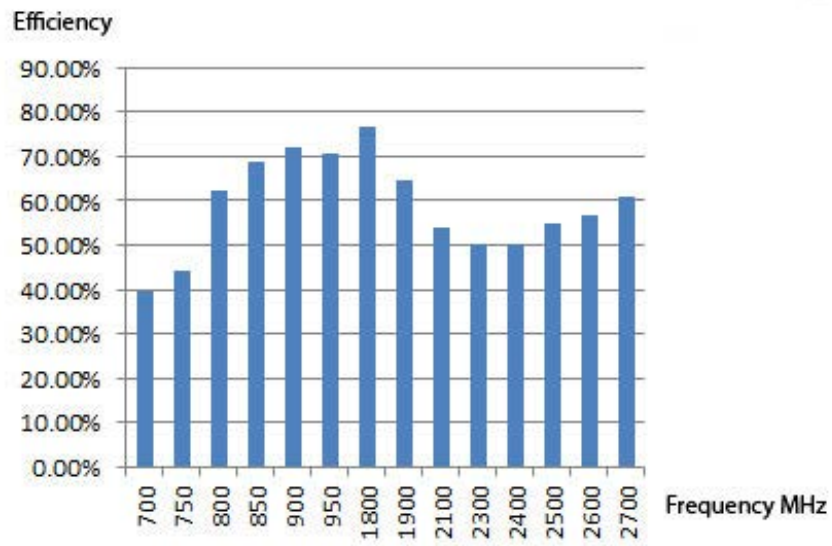


Typical VSWR Elements 1 & 2

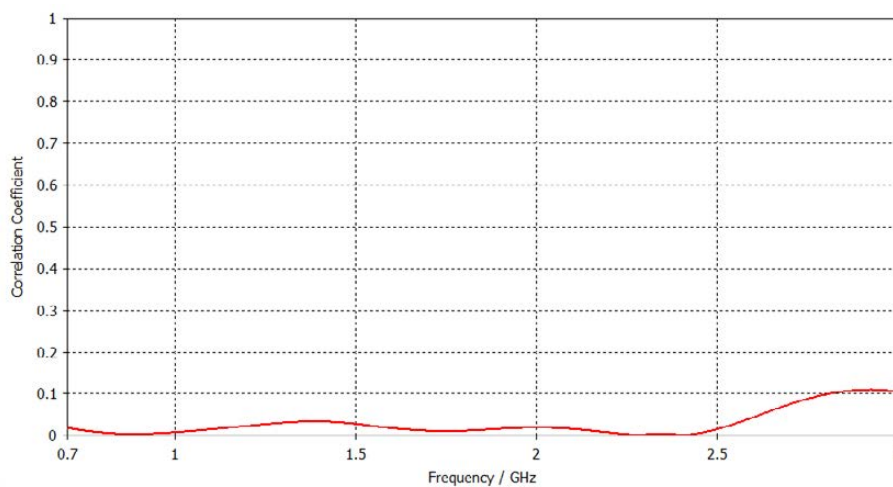


* measured with 5m cable

Typical Element Efficiency - Adjusted for cable loss (5m)



Correlation Coefficient

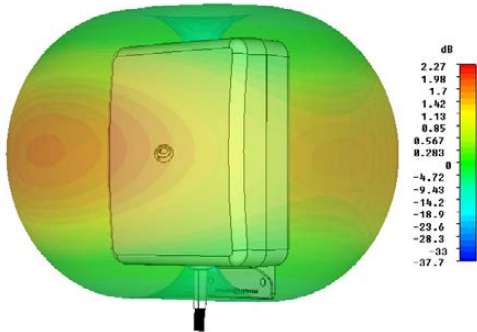


WiMAX / LTE

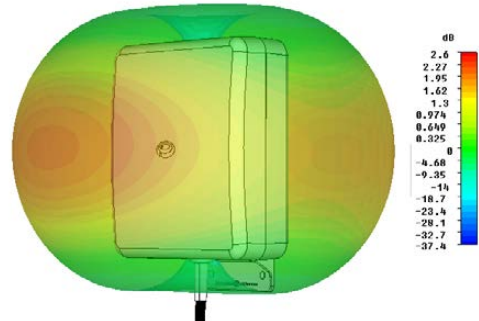
Wall mount MiMo Antenna

Simulated 3D plots - realised gain w/o cable

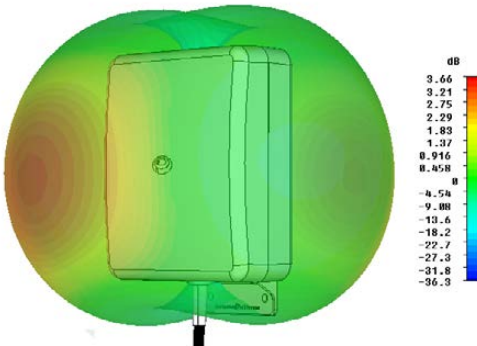
850MHz



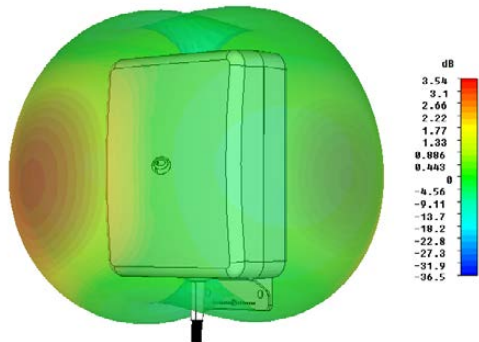
900MHz



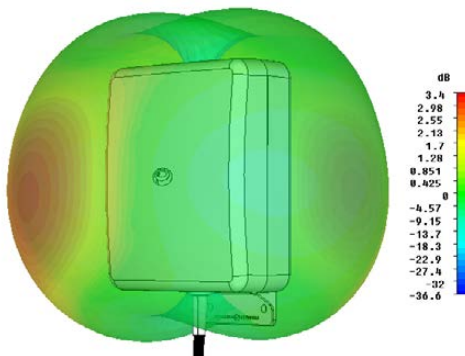
1700MHz



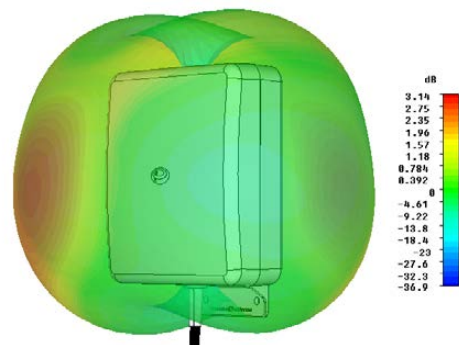
1800MHz



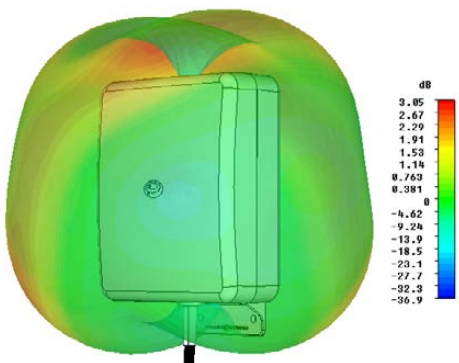
1900MHz



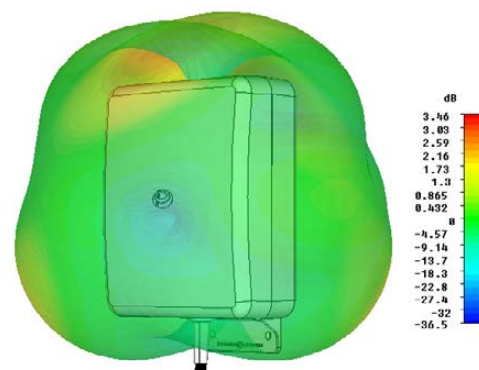
2000MHz



2200MHz



2500MHz



WiMAX / LTE

Wall mount MiMo Antenna

Part No.		WMM-7-27
Electrical Data		
Frequency Range (MHz)	Antenna 1	698-960 / 1710-2700
	Antenna 2	698-960 / 1710-2700
Operational bands		2G / 3G / 4G
Radiation pattern		Omni-directional
VSWR		< 2.5:1
Gain - excluding cable loss (all bands)		> 2dBi
Correlation co-efficient (all bands)		< 0.1
Element isolation		> 20dB
Max input power (W)		20 Watts
Impedance		50Ω
Mechanical Data		
Dimensions (mm)	Height	155 (6.10")
	Width	155 (6.10")
Operating temp (°C)		-30° / +80°C (-40° / 176°F)
Material		ASA
Colour		RAL9010 (Pure White)
Ingress Protection		Equivalent to IP66
Mounting Data		
Fixing		Wall mount / mast mount / desk mount
Mounting bracket material		Stainless steel
Pole diameter (mm)		20-50 / (0.78 - 1.96")
Cable Data		
Type		2 x CS29 Coax
Diameter (mm)		5 (0.2")
Length (m)		5 (16')
Termination		2 x SMA (m) (p/n WMM-7-27-5SP) or 2 x FME (f) (p/n WMM-7-27-5F)
Adaptor Pigtails		Supplied separately

Panorama Antennas Ltd
Frogmore, London, SW18 1HF, United Kingdom

T: +44 (0)20 8877 4444
F: +44 (0)20 8877 4477

E: sales@panorama-antennas.com
www.panorama-antennas.com

PANORAMA  ANTENNAS

Waiver: The data given above is indicative of the performance of the product/s under particular conditions and does not imply a guarantee of performance.
These specifications are subject to change without notice.
Copyright © Panorama Antennas Ltd. All rights reserved.