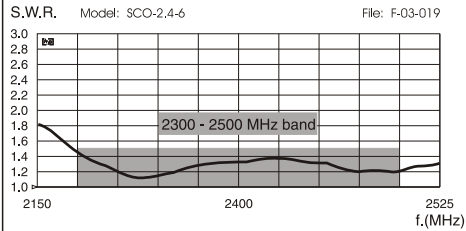
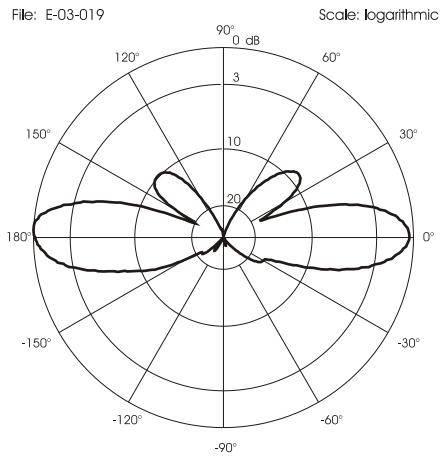


## SCO-2.4-6

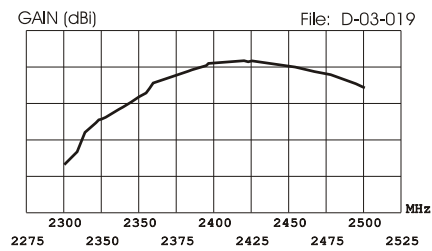
### TYPICAL S.W.R. RESPONSE



### TYPICAL RADIATION PATTERN IN E-plane at 2442.5 MHz

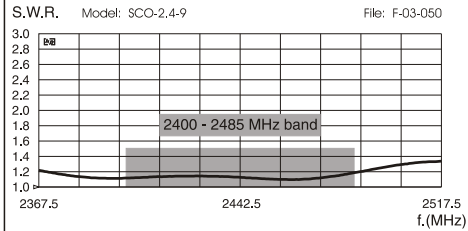


### TYPICAL GAIN DIAGRAM vs FREQUENCY

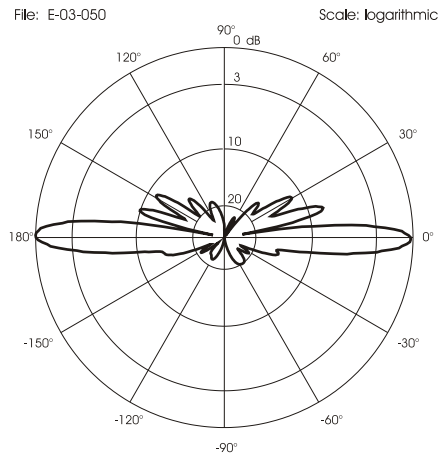


## SCO-2.4-9

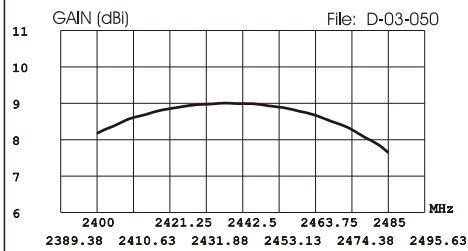
### TYPICAL S.W.R. RESPONSE



### TYPICAL RADIATION PATTERN IN E-PLANE at 2442.5 MHz



### TYPICAL GAIN DIAGRAM vs FREQUENCY



# OMNI W-LAN

## SCO-2.4-6 SCO-2.4-9

### UHF Base Station Antenna 2400 - 2485 MHz



SCO-2.4-6

SCO-2.4-9

## DESCRIPTION

Base station antenna working on 2.3-2.5 GHz conceived for W-LAN system. The radiant element is made of PTFE PCB to guarantee high power and low losses and it is protected by a fiberglass tube. It's supplied with an aluminium bracket for an easy installation on the mast.

## SPECIFICATIONS

### Electrical Data

|                         |   |
|-------------------------|---|
| Type                    | : Collinear Dipole Array  |
| Frequency Range         | : SCO-2.4-6 2300-2500 MHz<br>SCO-2.4-9 2400-2485 MHz                    |
| Impedance               | : 50 $\Omega$   |
| Polarization            | : Linear Vertical   |
| Max Gain                | : SCO-2.4-6 6 dBi<br>SCO-2.4-9 9 dBi                                    |
| 3 dB Beamwidth Vertical | : SCO-2.4-6 22° @ 3550 MHz<br>SCO-2.4-9 10° @ 3550 MHz                  |
| Beamwidth Horizontal    | : 360° omnidirectional  |
| Downtilt                | : 0°  |
| SWR in Bandwidth        | : $\leq 1.5$  |
| Max Power               | : 20 Watts (CW) @ 30° C   |
| Grounding Protection    | : All metal parts are DC-grounded, the inner conductor shows a DC-short |
| Connector type          | : N-female, gold plated central pin                                     |

### Mechanical Data

|                        |   |
|------------------------|---|
| Housing Materials      | : Aluminium, Stainless Steel, Chromed Brass |
| Radome Material        | : White Fiberglass                          |
| Wind Load / Resistance | : 19N @ 150 Km/h / 200 Km/h                 |
| Wind Surface           | : 0.015 m <sup>2</sup>                      |
| Height (approx.)       | : SCO-2.4-6 325 mm<br>SCO-2.4-9 630 mm      |
| Weight (approx.)       | : SCO-2.4-6 350 gr<br>SCO-2.4-9 415 gr      |
| Operating Temperature  | : -40° C to 80° C                           |
| Mounting Mast          | : $\varnothing$ 35-54 mm                    |

## MOUNTING INSTRUCTIONS

### Fixing bracket:



### Fixing bracket part list

| Q.ty                         | Description                |
|------------------------------|----------------------------|
| 1                            | Extruded aluminium bracket |
| 1                            | M6x188 V-bolt              |
| 1                            | M6x20 Exagonal head screw  |
| 3                            | M6 Spring lock washer      |
| 3                            | M6 Hexagonal nut           |
| Materials: extruded aluminum |                            |
| Hardware: stainless steel    |                            |
| Dimensions:                  | 80 x 76 x 25 mm            |
| Weight:                      | 110 g                      |
| <b>Re-order code: SA161</b>  |                            |

